

ALVAR



VILMERS

ALVAR



Feathers



Loose cushions



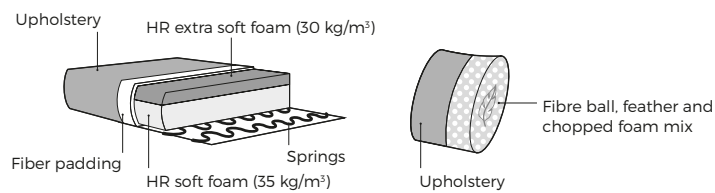
Removable cover



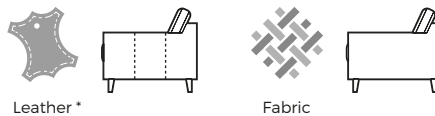
Daybed



Comfort

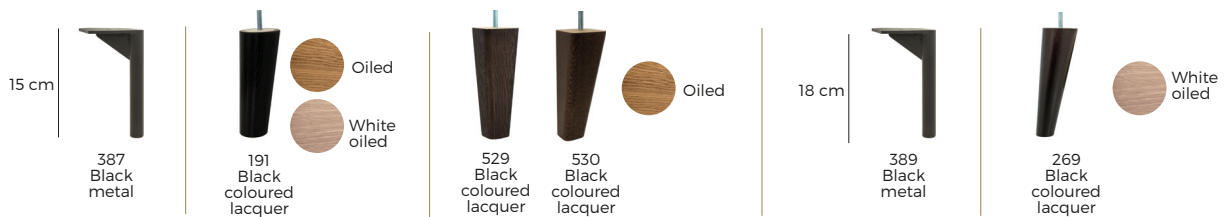


1. Upholstery



* LEATHER UPHOLSTERY MAY REQUIRE MORE STITCHES THAN FABRIC UPHOLSTERY.

2. Legs



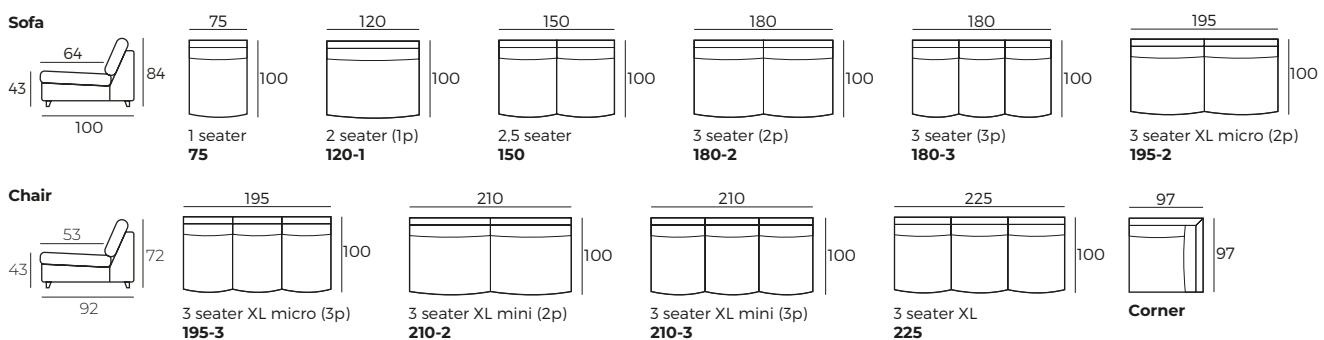
IMPORTANT:

Upholstered furniture is handmade using soft materials, therefore measurements can vary in all modules by up to **+/-2 cm**.
Modules and combinations shown in 2D drawings are left-sided. Modules and combinations can be mirrored from left to right.

For an additional fee, the sides of each seater module can be covered in fabric.

Modules

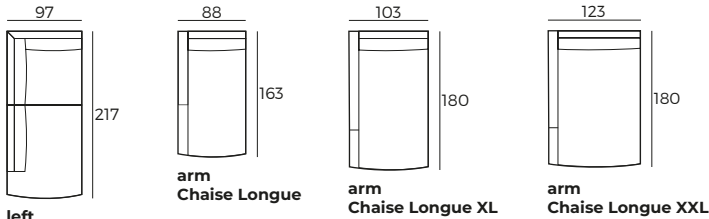
Scale 1:100



ALVAR

Modules

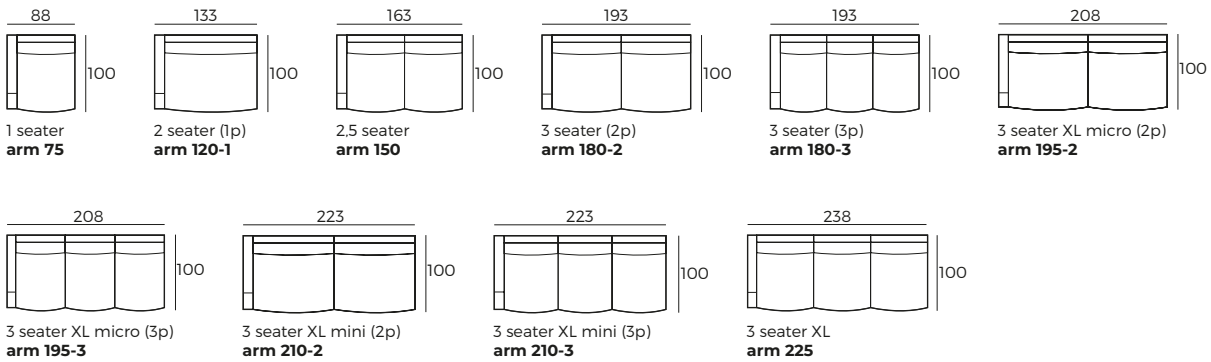
Scale 1:100



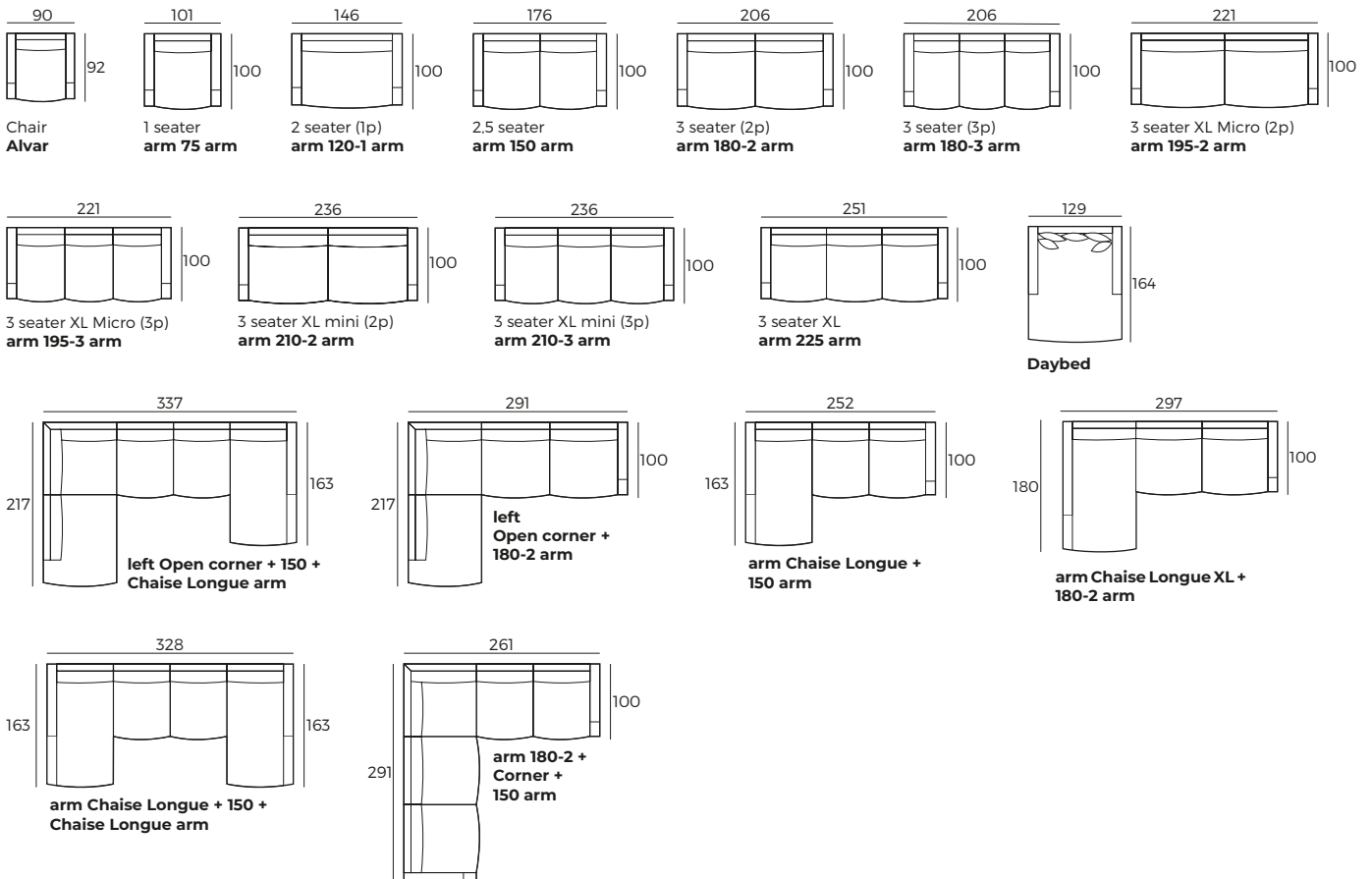
left
Open corner

Modules with armrest

Scale 1:100



Combinations



Accessories

